

Installation Manual

ZEKE-8

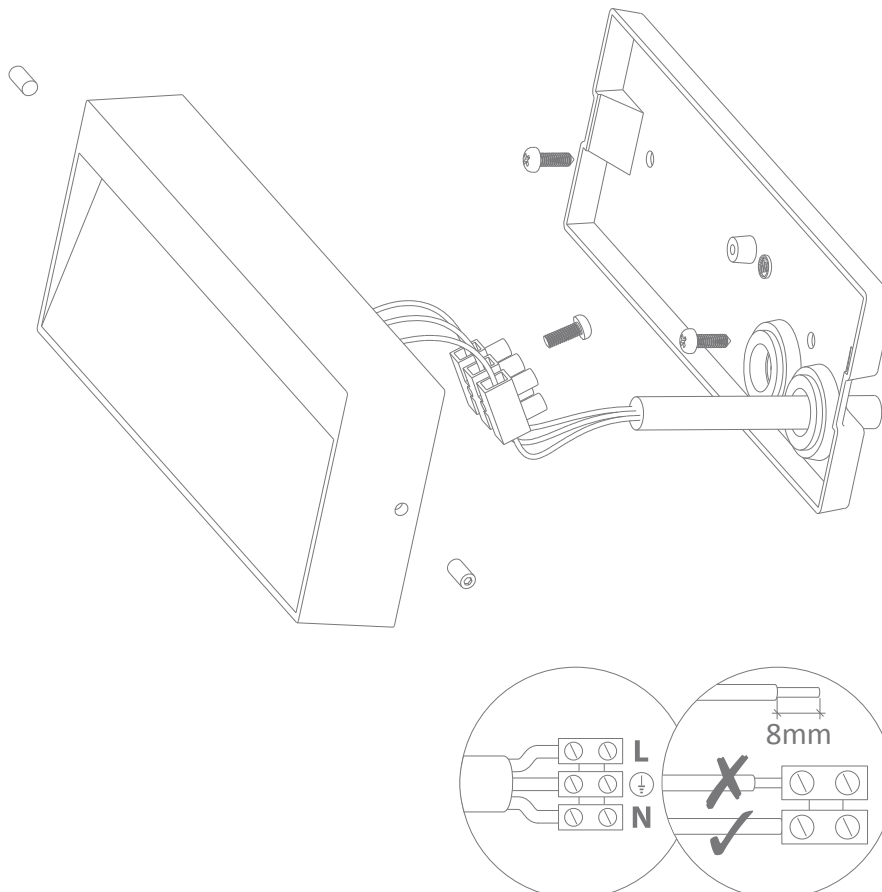
Date: 09/2018

Order Code	Product Code	Description
19542	ZEKE-8-BLK-WW	8W Recessed steplight, black finish. Warm white 3000K
19543	ZEKE-8-BLK-W	8W Recessed steplight, black finish. White 5000K
19712	ZEKE-8-SLR-WW	8W Recessed steplight, silver finish. Warm white 3000K
19713	ZEKE-8-SLR-W	8W Recessed steplight, silver finish. White 5000K
19714	ZEKE-8-DGR-WW	8W Recessed steplight, dark grey finish. Warm white 3000K
19715	ZEKE-8-DGR-W	8W Recessed steplight, dark grey finish. White 5000K
19716	ZEKE-8-WHT-WW	8W Recessed steplight, satin white finish. Warm white 3000K
19717	ZEKE-8-WHT-W	8W Recessed steplight, satin white finish. White 5000K

Thank you for purchasing your new LED ZEKE-8, Please take the time to read and understand the instruction sheet below. Failure to do so may void warranty.

Specifications

Voltage:	240V AC	Lumen (±5%):	Warm White 3000K - 500lm White 5000K - 550lm	Dimmable:	No
Power:	8W	CRI:	≥80	Operating Temp:	-30~+45
IP Rating:	65	CCT:	3000K - 5000K	Lifespan:	50,000hrs



Note: -The lamp must be installed by professional electrician
-Ensure the power supply is switched off before fitting this product

-Do not touch the lamp when in use
-Keep away from hot steam and corrosive gas