

### ZAC-8

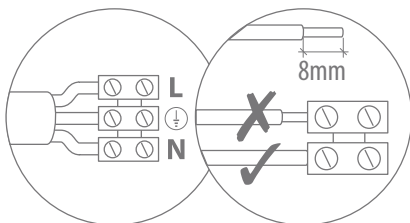
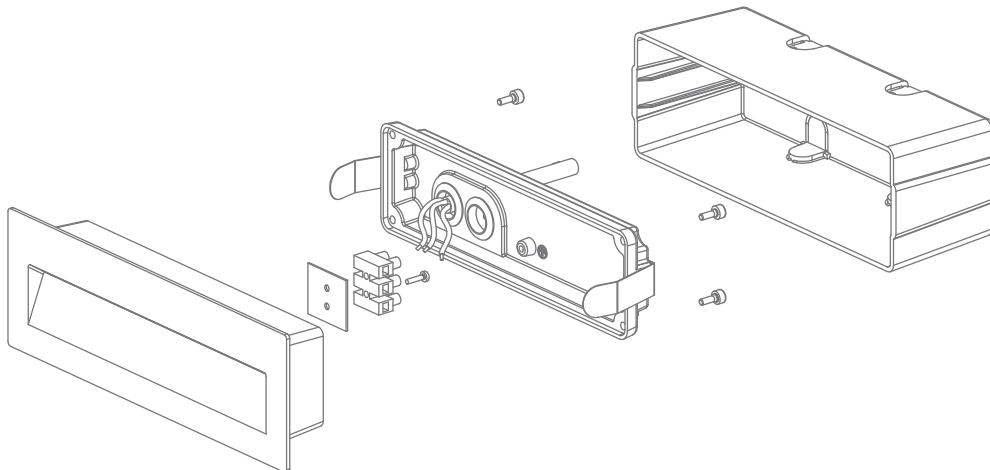
Date: 10/2018

Variant	Item No.	Description
19760	ZAC-8-BLK-WW	LED recessed wall light, black finish. 3000K, warm white.
19761	ZAC-8-BLK-W	LED recessed wall light, black finish. 5000K, white.
19762	ZAC-8-DGR-WW	LED recessed wall light, dark grey finish. 3000K, warm white.
19763	ZAC-8-DGR-W	LED recessed wall light, dark grey finish. 5000K, white.
19764	ZAC-8-SLR-WW	LED recessed wall light, silver finish. 3000K, warm white.
19765	ZAC-8-SLR-W	LED recessed wall light, silver finish. 5000K, white.
19767	ZAC-8-WHT-WW	LED recessed wall light, white finish. 3000K, warm white.
19768	ZAC-8-WHT-W	LED recessed wall light, white finish. 5000K, white.

Thank you for purchasing your new LED ZAC-8, Please take the time to read and understand the instruction sheet below. Failure to do so may void warranty.

### Specifications

Voltage:	240V AC	Lumen (±5%):	Warm White 3000K - 300lm White 5000K - 350lm	Dimmable:	No
Power:	8W	Beam Angle:	30°	Operating Temp:	-20°~45°
IP Rating:	IP65	CCT:	3000K - 5000K	Power Factor:	
CRI:	≥80	Lifespan:	50,000hrs		



Cutout without recessed box: (L) 210mm x (W) 60mm

Cutout with recessed box: (L) 220mm x (W) 70mm

**Note:** -The lamp must be installed by professional electrician  
-Ensure the power supply is switched off before fitting this product

-Do not touch the lamp when in use  
-Keep away from hot steam and corrosive gas