

## Shadow Line 600mm Vanity Light



### Description

Introducing the SHADOW-LINE LED mounting profile. The SHADOW-LINE is a unique mounting profile unlike others offered on the market. Gone are the days of the traditional wall mounted vanity light, wall light or even picture light where you were limited by traditional light sources. The SHADOW-LINE offers a slick new modern look with all the features offered by traditional light sources.



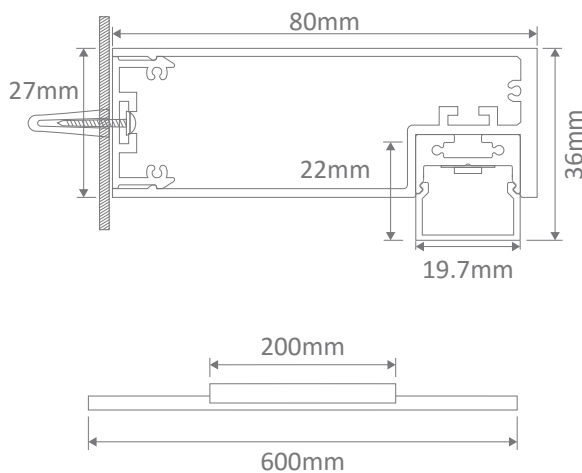
### Specification Features

|                      |  |
|----------------------|--|
| Input Voltage:       | 240V   |
| Power (W):           | 6W   |
| IP rating (IP):      | 20*  |
| Lumens (lm):         | Warm White 3200K - 504lm<br>Neutral White 4000K - 540lm<br>White 6500K - 576lm |
| LED type:            | 120 WP   |
| CCT:                 | 3000K - 4000K - 5000K  |
| CRI:                 | ≥  |
| Dimmable:            | No   |
| Lifespan (hrs):      | 50,000hrs  |
| Installation:        | Wall mounted   |
| Material:            | Extruded aluminium 6063  |
| Finish:              | Natural clear anodised   |
| Diffuser:            | Square (PMMA) Opal colour  |
| Length (mm):         | 600mm  |
| Driver Installation: | Remote driver or integral driver included**                                    |

\* IP44 rating is from the underside of the down light once installed into the ceiling.

\*\* For integral drivers use: SLIM-30, SLIM-60, SLIM-80  
(12 OR 24V DC options, min back plate size 250mm, 30W, 350mm, 60W & 80W)  
Customs lengths are available on request

### Diagrams / Additional



| Item No.           | Variant | Colour |
|--------------------|---------|--------|
| SHADOWLINE-600-ALU | 23500   | 3000K  |
|                    | 23502   | 4000K  |
|                    | 23504   | 5000K  |
| SHADOWLINE-600-BLK | 23510   | 3000K  |
|                    | 23512   | 4000K  |
|                    | 23514   | 5000K  |
| SHADOWLINE-600-WHT | 23520   | 3000K  |
|                    | 23522   | 4000K  |
|                    | 23524   | 5000K  |