

Installation Manual

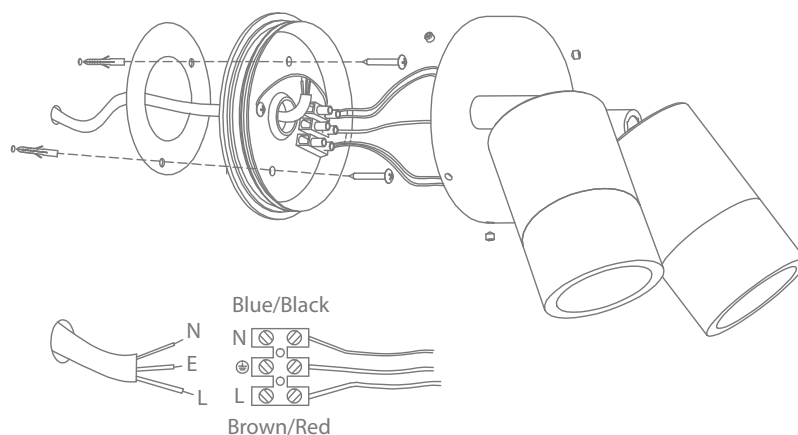
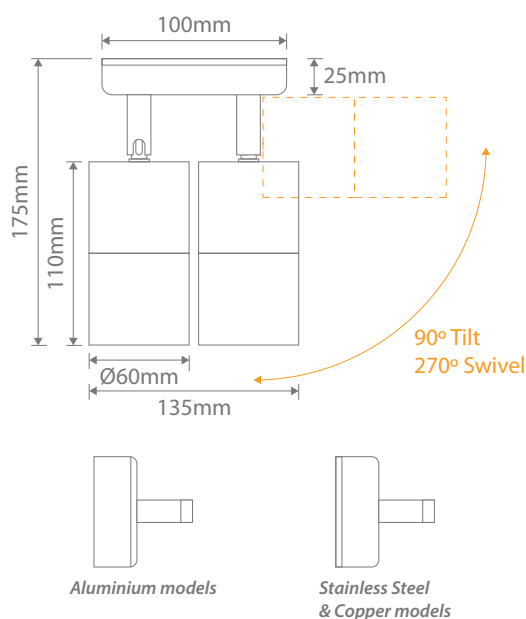
SHADOW-2LT-ADJ

Variant	Item No.	Description
49051	SHADOW-2LT-ADJ	Twin light, adjustable wall light. Black finish
49160		Twin light, adjustable wall light. Black finish, GU10 3000K
49162		Twin light, adjustable wall light. Black finish, GU10 5000K
49052		Twin light, adjustable wall light. White finish
49176		Twin light, adjustable wall light. White finish, GU10 3000K
49178		Twin light, adjustable wall light. White finish, GU10 5000K
49053		Twin light, adjustable wall light. Titanium Silver finish
49172		Twin light, adjustable wall light. Titanium Silver finish, GU10 3000K
49174		Twin light, adjustable wall light. Titanium Silver finish, GU10 5000K
49054		Twin light, adjustable wall light. Copper finish
49164		Twin light, adjustable wall light. Copper finish, GU10 3000K
49166		Twin light, adjustable wall light. Copper finish, GU10 5000K
49055		Twin light, adjustable wall light. 316 Stainless Steel finish
49168		Twin light, adjustable wall light. 316 Stainless Steel finish, GU10 3000K
49170		Twin light, adjustable wall light. 316 Stainless Steel finish, GU10 5000K

Thank you for purchasing your new SHADOW-2LT Adjustable, Please take the time to read and understand the instruction sheet below. Failure to do so may void warranty.

Specifications

Voltage:	240V	Power:	2x35W Max	Tilt & Swivel:	90° & 270°
Lamp:	GU10	IP Rating:	65		



Note: -The lamp must be installed by professional electrician
-Ensure the power supply is switched off before fitting this product

-Do not touch the lamp when in use
-Keep away from hot steam and corrosive gas