

## Installation Manual

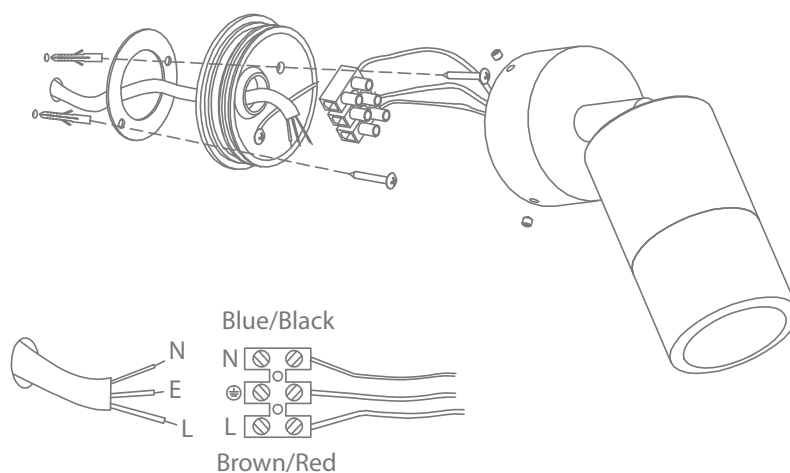
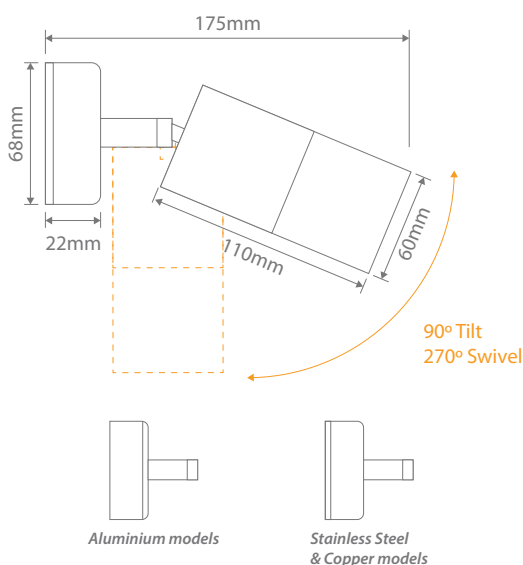
### SHADOW-1LT-ADJ

Variant	Item No.	Description
49041	SHADOW-1LT-ADJ	Single light, adjustable wall light. Black finish
49102		Single light, adjustable wall light. Black finish, GU10 lamp 3000K
49104		Single light, adjustable wall light. Black finish, GU10 lamp 5000K
49042		Single light, adjustable wall light. White finish
49118		Single light, adjustable wall light. White finish, GU10 lamp 3000K
49120		Single light, adjustable wall light. White finish, GU10 lamp 5000K
49043		Single light, adjustable wall light. Titanium Silver finish
49114		Single light, adjustable wall light. Titanium Silver finish, GU10 lamp 3000K
49116		Single light, adjustable wall light. Titanium Silver finish, GU10 lamp 5000K
49044		Single light, adjustable wall light. Copper finish
49106		Single light, adjustable wall light. Copper finish, GU10 lamp 3000K
49108		Single light, adjustable wall light. Copper finish, GU10 lamp 5000K
49045		Single light, adjustable wall light. 316 Stainless Steel finish
49110		Single light, adjustable wall light. 316 Stainless Steel finish, GU10 lamp 3000K
49112		Single light, adjustable wall light. 316 Stainless Steel finish, GU10 lamp 5000K

Thank you for purchasing your new SHADOW-1LT Adjustable, Please take the time to read and understand the instruction sheet below. Failure to do so may void warranty.

### Specifications

Voltage:	240V	Power:	35W Max	Tilt & Swivel:	90° & 270°
Lamp:	GU10	IP Rating:	65		



**Note:** -The lamp must be installed by professional electrician  
-Ensure the power supply is switched off before fitting this product

-Do not touch the lamp when in use  
-Keep away from hot steam and corrosive gas