

Installation Manual

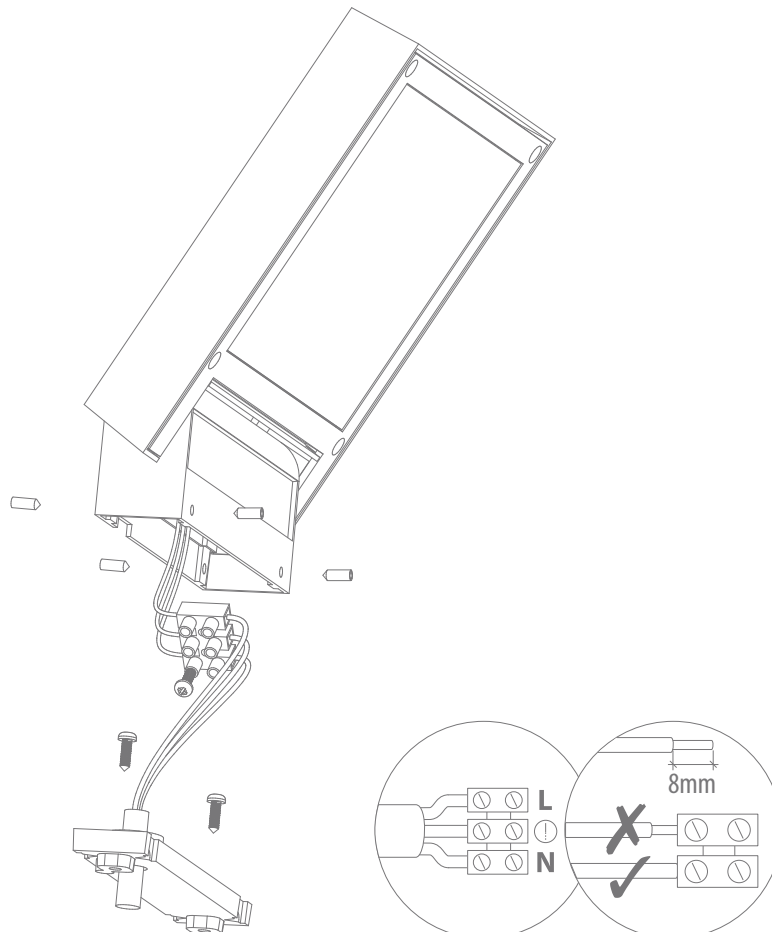
FLASH-20

Order Code	Product Code	Description
19620	FLASH-20-BLK-WW	20W Floodlight:, black finish. Warm white 3000K
19621	FLASH-20-BLK-W	20W Floodlight:, black finish. White 5000K
19584	FLASH-20-SLR-WW	20W Floodlight:, silver finish. Warm white 3000K
19585	FLASH-20-SLR-W	20W Floodlight:, silver finish. White 5000K
19586	FLASH-20-WHT-WW	20W Floodlight:, satin white finish. Warm white 3000K
19587	FLASH-20-WHT-W	20W Floodlight:, satin white finish. White 5000K

Thank you for purchasing your new LED FLASH-20, Please take the time to read and understand the instruction sheet below. Failure to do so may void warranty.

Specifications

Voltage:	240V AC	Lumen (±5%):	Warm White 3000K - 2000lm White 5000K - 2200lm	Dimmable:	No
Power:	20W	Beam Angle:	140°	Operating Temp:	-20~45
IP Rating:	65	CCT:	3000K - 5000K	CRI:	≥80
Lifespan:	50,000hrs				



Note: -The lamp must be installed by professional electrician
-Ensure the power supply is switched off before fitting this product

-Do not touch the lamp when in use
-Keep away from hot steam and corrosive gas