

FLASH LED Floodlight



Description

The FLASH-20 is a surface mounted LED floodlight capable of illuminating any exterior area with 2000 lumens while only consuming up to 20W of power. The FLASH-20 is also rated at IP65, giving you plenty of flexibility in outdoor applications.

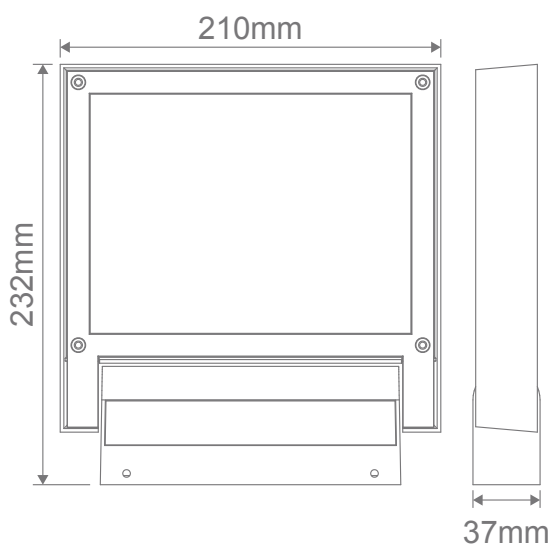
FLASH-20 is constructed from die-cast aluminium alloy and features a toughened tempered glass to protect the powerful SMD LED Chips that sit behind it. The FLASH-20 also includes an adjustable bracket allowing you to choose your desired beam angle. The FLASH-20 also comes complete with our Three Year Replacement Warranty for peace of mind.



Specification Features

- Input Voltage: 240V AC
- Power (W): 20W
- IP rating (IP): 65
- Lumens (lm): Warm White 3000K - 2000lm
White 5000K - 2200lm
- LED type: SMD
- CCT: 3000K - 5000K
- CRI: ≥80
- Beam angle (°): 140°
- Dimmable: No
- Lifespan (hrs): 50,000hrs

Diagrams / Additional



Item No.	Variant	Colour
FLASH-20-DGR	19564	3000K
	19565	5000K
FLASH-20-SLR	19584	3000K
	19585	5000K
FLASH-20-WHT	19856	3000K
	19587	5000K
FLASH-20-BLK	19620	3000K
	19621	5000K