

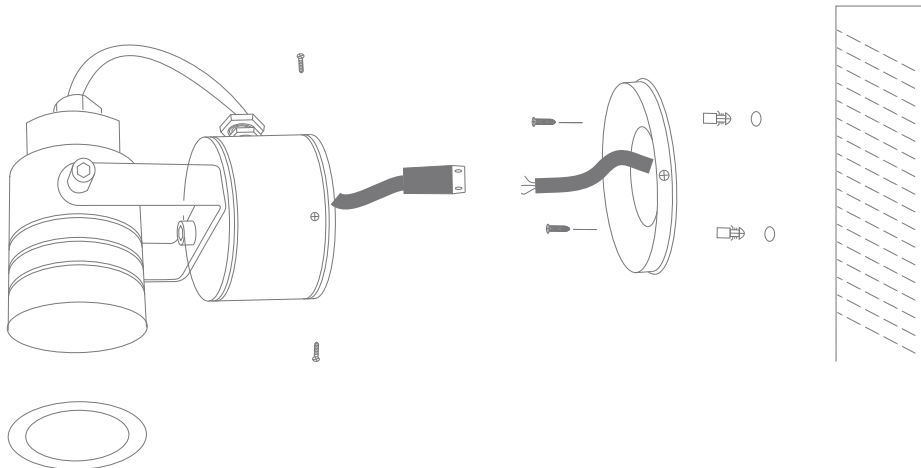
## ELITE-ADJ

Order Code	Product Code	Description
19408	ELITE-ADJ-WW	Round body adjustable exterior spot light - Warm White 3000K
19409	ELITE-ADJ-W	Round body adjustable exterior spot light - White 5000K
19416	ELITE-ADJ	Round body adjustable exterior spot light - Body Only

Thank you for purchasing your new LED ELITE-ADJ, Please take the time to read and understand the instruction sheet below. Failure to do so may void warranty.

## Specifications

Voltage:	240V AC	Lumen (±5%):	Warm White: 350lm White: 380lm	Dimmable:	Yes*
Power:	6W	Beam Angle:	60°	CRI:	≥83
IP Rating:	54	CCT:	3000K - 5000K	Lifespan:	40,000hrs



## Steps:

1. Please make a visual inspection to the fixture prior to installation. If any defect is to be found please return to you place of purchase for a replacement.
2. Make sure all power is correctly turned off from the mains and NOT just from the switch.
3. Unscrew the lamp cover from the main body. Carefully insert the supplied lamp ensuring the pins line up before securing into place.
4. Ensure the silicon gasket is in place. Please do not over tighten as this may damage the gasket and inhibit correct IP protection.
5. Once lamp has been installed please remove the base mounting plate. Carefully unscrew the three (3) stainless steel grub screws.
6. Mount mounting base plate using supplied screws. Please note that due to different mounting sub straights additional fixing screws maybe needed (Not supplied).
7. Proceed in connecting the power cable to the supplied terminal block. Due to the nature of this fixture the Earth wire MUST be connected. Please ensure the grommet supplied on the rear base plate is still present (removing this will prevent correct IP protection and void warranty)
8. Once connections are made please proceed in re-attaching the main body to the mounting plate. Turn mains power back on from the mains and test to make sure all is working.
9. To keep the finish maintained and in good appearance the manufacture recommends cleaning the fixture once every 12 months with clean fresh water and a mild soap. Please rinse well.

**Note:** -The lamp must be installed by professional electrician  
-Ensure the power supply is switched off before fitting this product

-Do not touch the lamp when in use  
-Keep away from hot steam and corrosive gas