

Installation Manual

EDGE-4

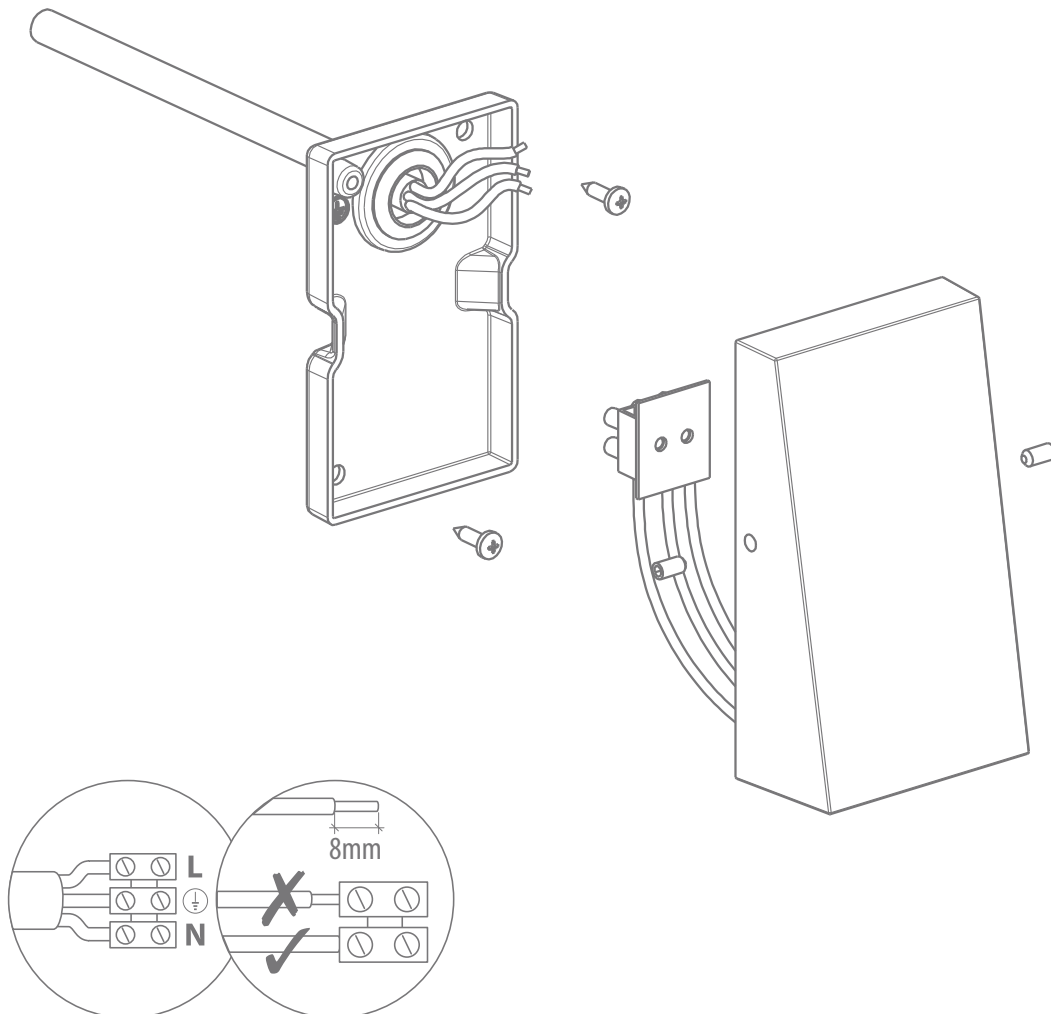
Date: 10/2018

Variant	Item No.	Description
19692	EDGE-4-BLK-WW	LED Wall Light, Black finish. 3000K, warm white.
19693	EDGE-4-BLK-W	LED Wall Light, Black finish. 5000K, white.
19694	EDGE-4-DGR-WW	LED Wall Light, dark grey finish. 3000K, warm white.
19695	EDGE-4-DGR-W	LED Wall Light, dark grey finish. 5000K, white.
19696	EDGE-4-WHT-WW	LED Wall Light, white finish. 3000K, warm white.
19697	EDGE-4-WHT-W	LED Wall Light, white finish. 5000K, white.

Thank you for purchasing your new LED EDGE-4, Please take the time to read and understand the instruction sheet below. Failure to do so may void warranty.

Specifications

Voltage:	240V AC	Lumen (±5%):	Warm White 3000K - 150lm White 5000K - 180lm	Dimmable:	No
Power:	4W	Beam Angle:	35°	Operating Temp:	-20°~45°
IP Rating:	IP65	CCT:	3000K - 5000K		
CRI:	≥80	Lifespan:	50,000hrs		



Note: -The lamp must be installed by professional electrician
-Ensure the power supply is switched off before fitting this product

-Do not touch the lamp when in use
-Keep away from hot steam and corrosive gas