



CURVE LED Mounting Profile

Description

Introducing the CURVE LED mounting profile system. The CURVE is specifically designed for the Domus range of LED strip lighting. This aluminium mounting profile system incorporated extruded profile complete with a curved opal colour PMMA diffuser. The key features of the CURVE is the ability to not only conceal the LED strip lighting but also keep the strip lighting linear. Also, the CURVE keeps LEDs free from foreign objects and vapours which may damage the LEDs. The finishing of this product is a perfect complement to any area where discrete lighting is required. Applications include lounge rooms, dining areas, bathrooms, storage areas, shelving or any other architectural application.

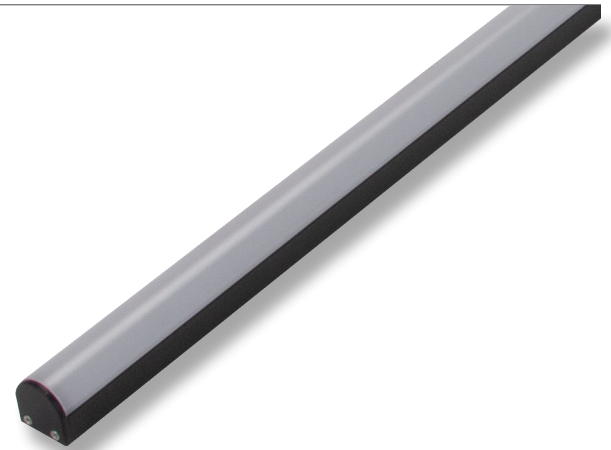
Specification Features

Installation:	Surface, wall or suspended mounted
Material:	Extruded aluminium 6063
Finish:	Natural clear anodised
Diffuser:	Curved (PMMA) Opal colour
Length (mm):	2500mm continuous*
Size (mm):	(W) 19.7mm (H) 19.6mm
Accessories (each):	End caps (anodised), wire suspensions and mounting clips**
Special:	Custom powder coated colour upon request***
Driver Installation:	Remote driver required (not included)

* Profile sold per meter. Can be cut to suit any length.

** Accessories to be ordered separately.

*** Special powder coat finishes upon request. Surcharges apply.



Brushed Aluminium Finish



White Finish

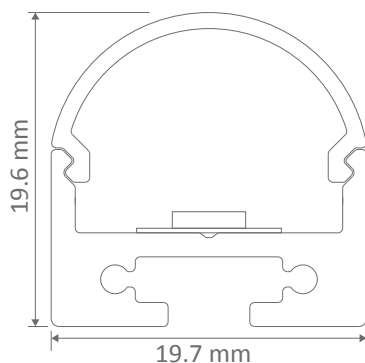


Suspension Kit

Compatible LED Strip

7.2	14.4	19.2
•	•	•

Diagrams / Additional



Item No.	Variant			Details
	Alu	Blk	Wht	
CURVE-20-SM	22008	22066	22067	Sold per 1 metre
SUSP-KIT	22041			2 metres standard height, sold individually