

## Installation Manual

### ALICE

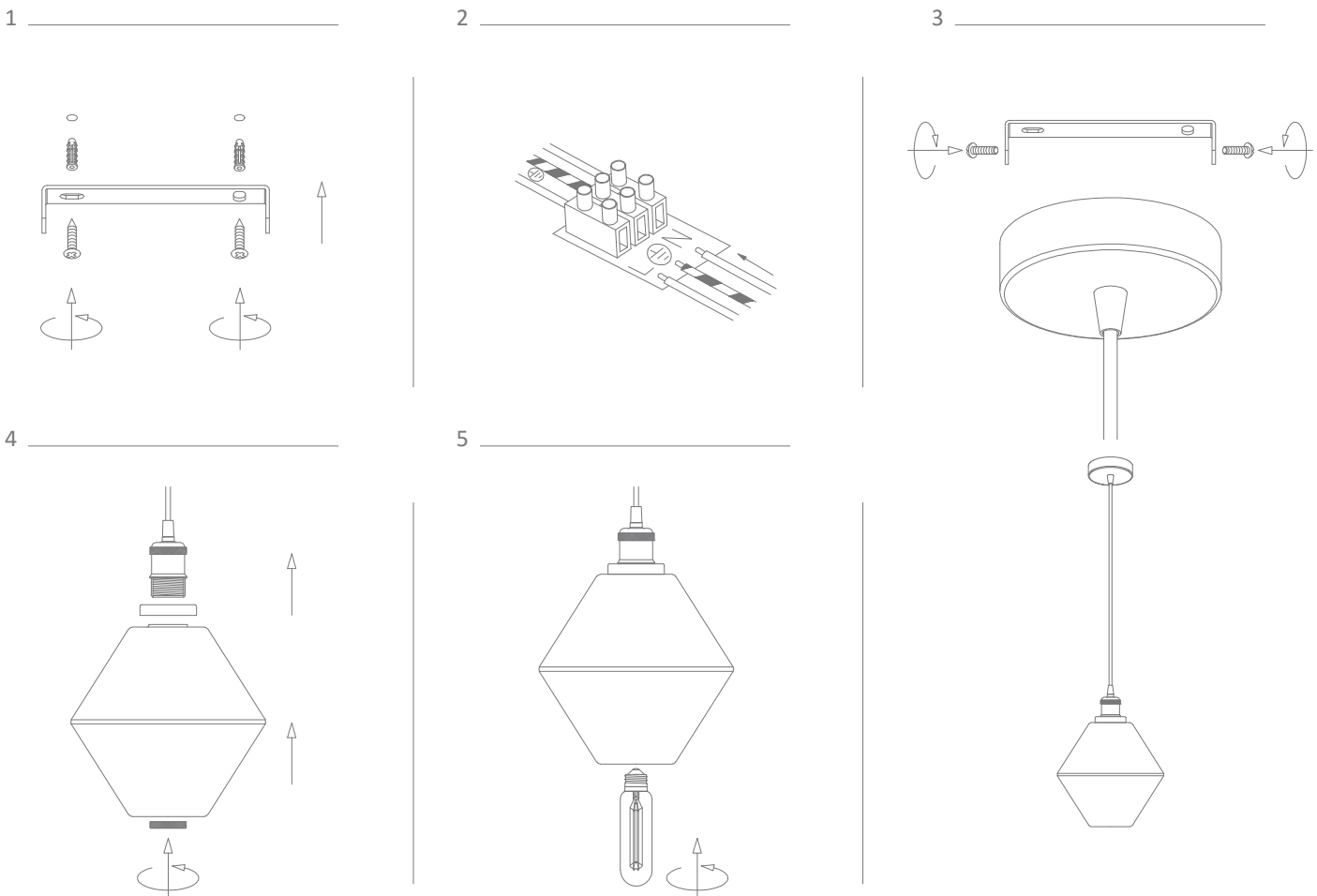
| Order Code   | Product Code          | Description             |
|--------------|-----------------------|-------------------------|
| <b>31300</b> | <b>ALICE-PNDT-AMB</b> | E27 amber glass pendant |
| <b>31301</b> | <b>ALICE-PNDT-CLR</b> | E27 clear glass pendant |
| <b>31302</b> | <b>ALICE-PNDT-GRY</b> | E27 grey glass pendant  |

Thank you for purchasing your new ALICE pendant, Please take the time to read and understand the instruction sheet below. Failure to do so may void warranty.

### Specifications

|          |      |        |  |            |    |
|----------|------|--------|--|------------|----|
| Voltage: | 240V | Power: | Max 40W Incandescent<br>Max 20W CFL<br>Max 20W LED | IP Rating: | 20 |
|----------|------|--------|--|------------|----|

*Requires: E27 lamp, not included.*



**Note:** -The lamp must be installed by professional electrician  
-Ensure the power supply is switched off before fitting this product

-Do not touch the lamp when in use  
-Keep away from hot steam and corrosive gas