



LED TRACK LIGHT STR4885 - 30W

Decorative three circuit rotatable 30 watt LED track light

Application

Designed for decorative and retail and commercial applications

Design Specifications

- Extruded aluminium profile, horizontal 350 degree rotatable , 90 degree vertical
- Quality white or black powder coated finish
- Clear tempered glass cover
- High output COB LED chip, CRI>80, CCT 3000K
- Beam angle 38 deg standard, 12 or 24 degree optional
- Integral constant current non-dimmable 30 watt LED driver



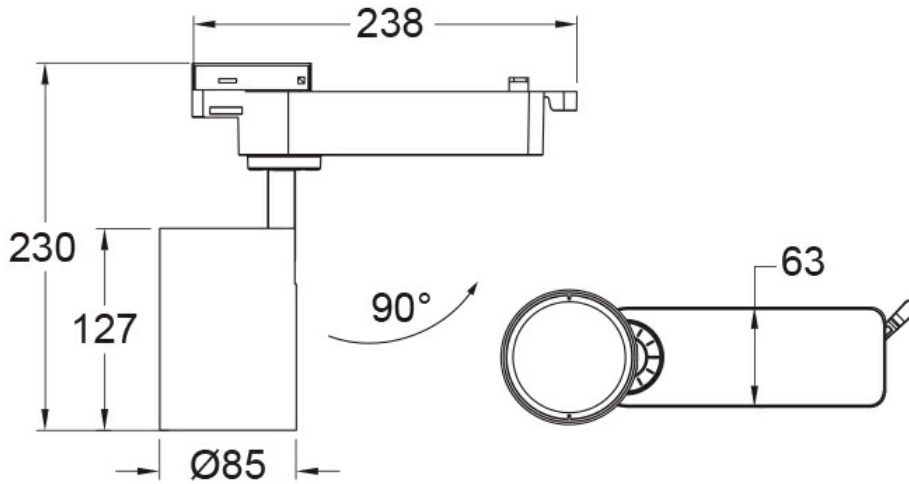
Technical Specification

Model No.	Description	Input Voltage (V/AC)	Power (W)	Lumens (lm)	CCT (K)	CRI
STR4885WW/WH	LED TRACK LT 30W 38DG 3K	240	30	2600	3000	80
STR4885WW/BK	LED TRACK LT 30W 38DG 3K	240	30	2600	3000	80

Model No.	Beam Angle (°)	Body Colour
STR4885WW/WH	38	WHITE
STR4885WW/BK	38	BLACK

Due to continued product and technology enhancements, data sourced from sal.net.au shall not form part of any contract and or technical performance guarantee unless expressly confirmed in writing by SAL at the time of order. Products are sold in accordance with [SAL Terms and Conditions of sale](#) and all images shown are for illustration purposes only and may vary from the actual colour or finish.

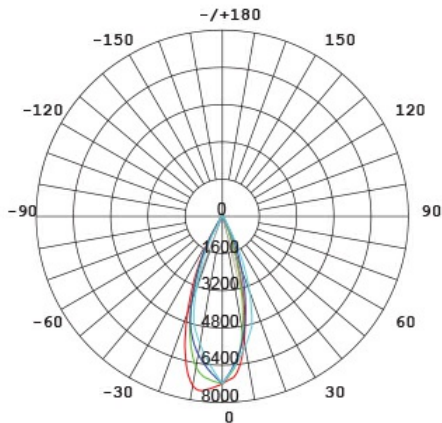
Dimensions



Photometric Data

Unit: cd C0/C180 — C30/C210 —
 cd C60/C240 — C90/C270 —

STR4885WW at 3000K



Product Images

