



SPOT IV STR3/4863GU - 5W

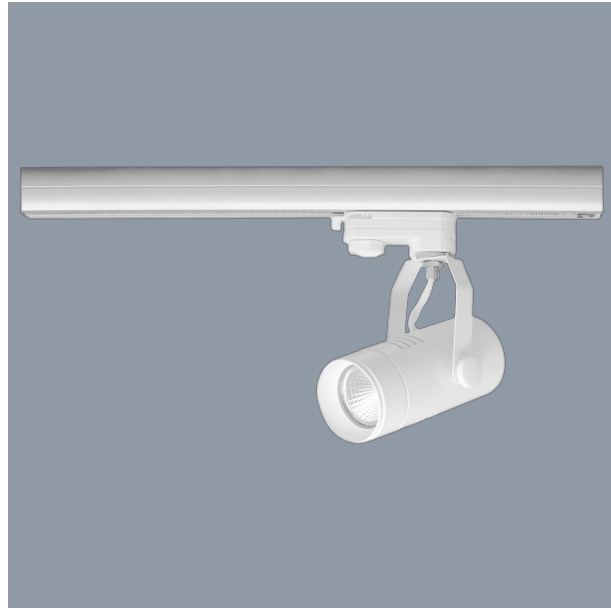
5 watt GU10 three circuit LED rotatable track light

Application

Designed for decorative residential and retail applications

Design Specifications

- Aluminium profile, 350 degree horizontal rotation, 120 degree vertical rotation
- Quality white or black powder coated finish
- GU10 lamp base, CCT 3000, 4000, 6000K
- GU10L350 lamp included, beam distribution 38 degree
- SAL lamp options GU10L550, GU10LR750, GU10LA750 (trailing edge dimmable)



-
-
-
-
-
-
-
-

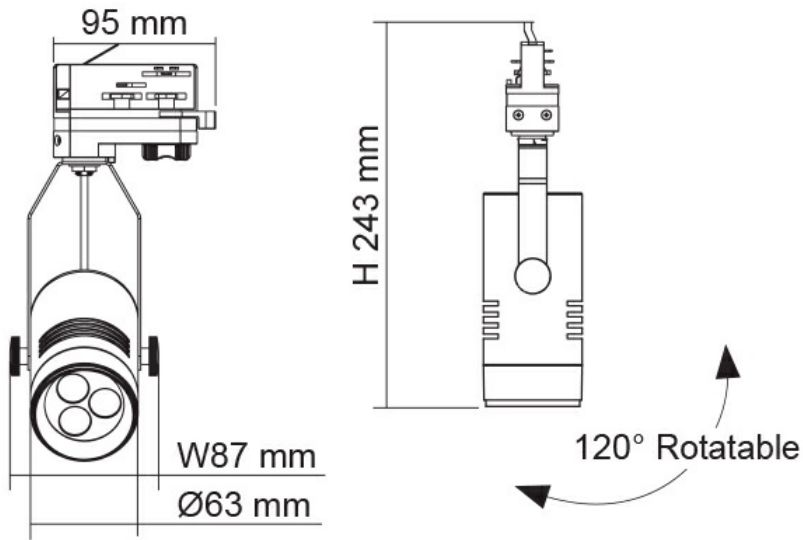
Technical Specification

Model No.	Description	Input Voltage (V/AC)	Power (W)	Lumens (lm)	CCT (K)	CRI
STR3/4863GU BK	4 WIRE 3 CIRCUIT TRACK LT	240	5	350	3000/4000/6000	80
STR3/4863GU WH	4 WIRE 3 CIRCUIT TRACK LT	240	5	350	3000/4000/6000	80

Model No.	Beam Angle (°)	Body Colour	Dimensions (mm)
STR3/4863GU BK	38	BLACK	63(W) x 243(H)
STR3/4863GU WH	38	WHITE	63(W) x 243(H)

Due to continued product and technology enhancements, data sourced from sal.net.au shall not form part of any contract and or technical performance guarantee unless expressly confirmed in writing by SAL at the time of order. Products are sold in accordance with SAL Terms and Conditions of sale and all images shown are for illustration purposes only and may vary from the actual colour or finish.

Dimensions



Photometric Data

Unit: cd C0/C180 _____ C90/C270 _____

STR3/4863GU at 3000K

