



SENSOR SMS731

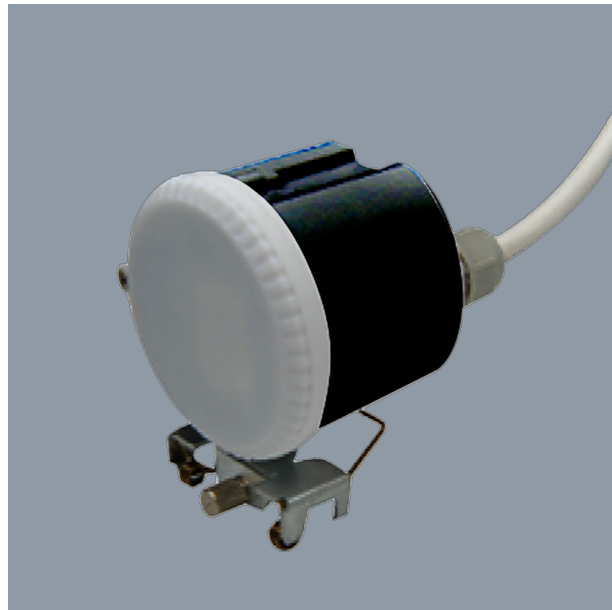
Microwave motion sensor IP65

Application

Versatile IP65 residential and commercial sensor

Design Specifications

- Input voltage: 120~277Vac, 50/60Hz, rated load: 800W
- Detection area: 8m Max. (radius) adjustable, hold time: 5s/30s/1min/3min/5min/10min/ 20min/30min
- Daylight sensor: 5lux/15lux/30lux/50lux/ 100lux/150lux/Disable
- Stand-by period: 0s/10s/1min/3min/5min/10min/30min/+∞
- Stand-by dimming level: 10%/20%/30%/50%, Sensor principle: Microwave motion detector, Microwave frequency: 5.8GHz ± 75MHz, Transmitting power: <0.5mW, Mounting height: 3~15m
- Detection angle: 150° (wall installation), 360° (ceiling installation), Motion detection: 0.5~3m/s



Performance

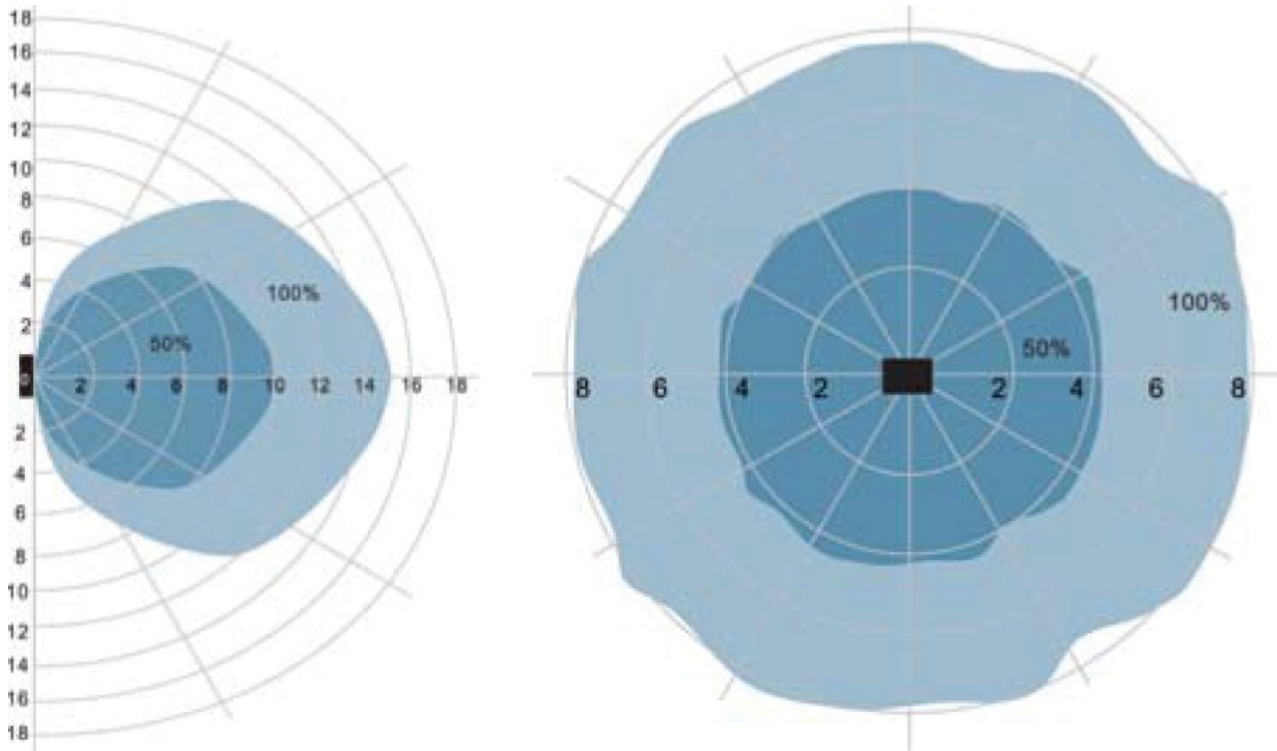
In Built Sensor - **YES**
Sensor Type - **MICRO**

Technical Specification

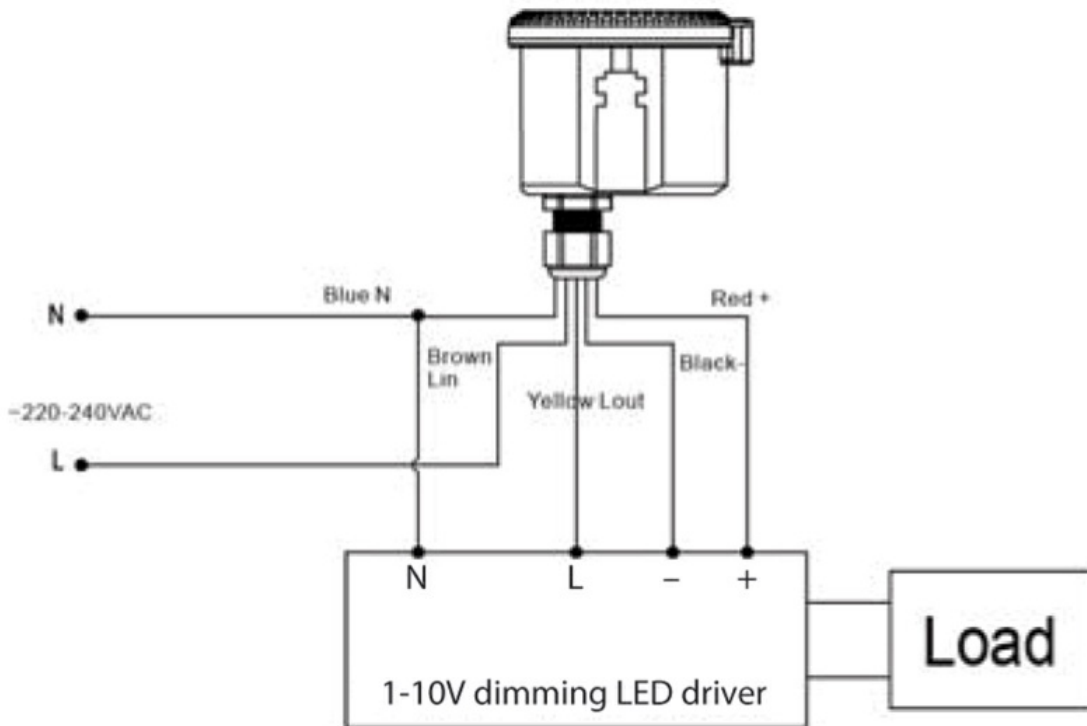
Model No.	Description	Input Voltage (V/AC)	Power (W)	Body Colour
SMS731CS	MW SENSOR CEILING SURFACE MT	240	800	BLACK
SMS731LC	MW SENSOR LIGHT FITTING CLIP	240	800	BLACK
SMS731LP	MW SENSOR LGT FITTING PLUG-IN	240	800	BLACK
SMS731WS	MICROWAVE SENSOR WALL SURFACE MT	240	800	BLACK

Due to continued product and technology enhancements, data sourced from sal.net.au shall not form part of any contract and or technical performance guarantee unless expressly confirmed in writing by SAL at the time of order. Products are sold in accordance with [SAL Terms and Conditions of sale](#) and all images shown are for illustration purposes only and may vary from the actual colour or finish.

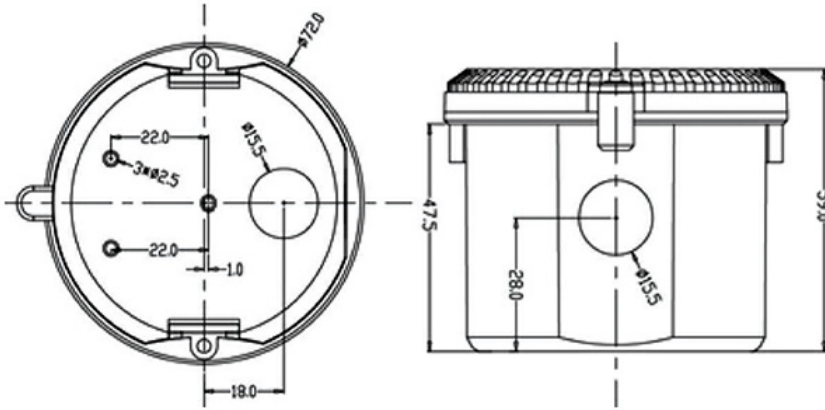
Dimensions



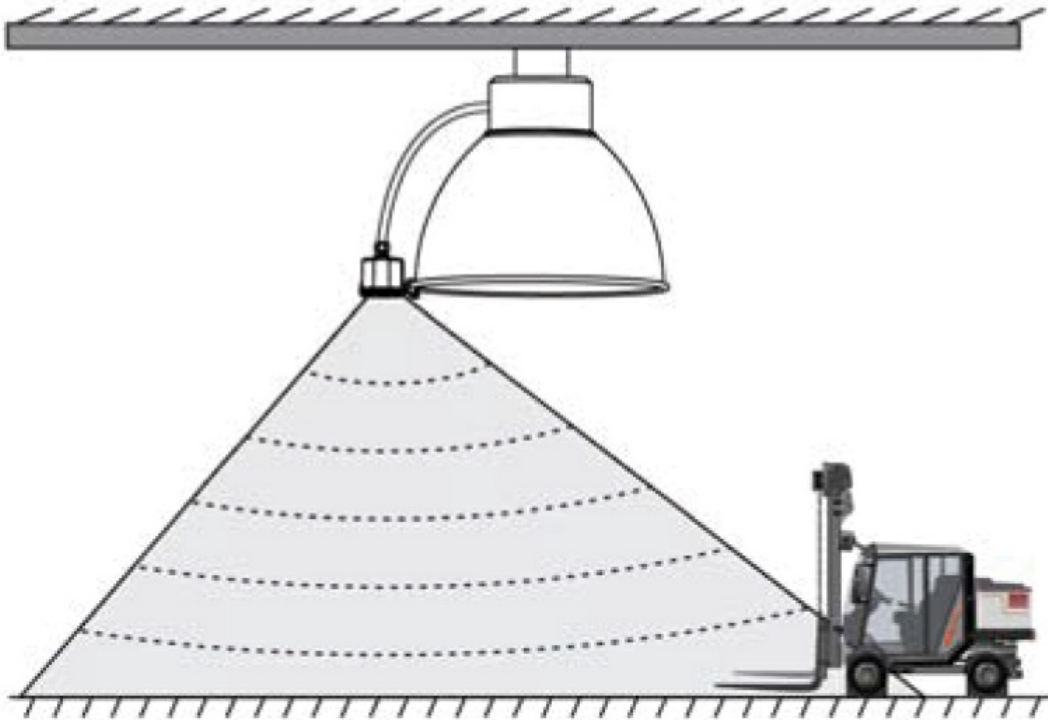
SMS731



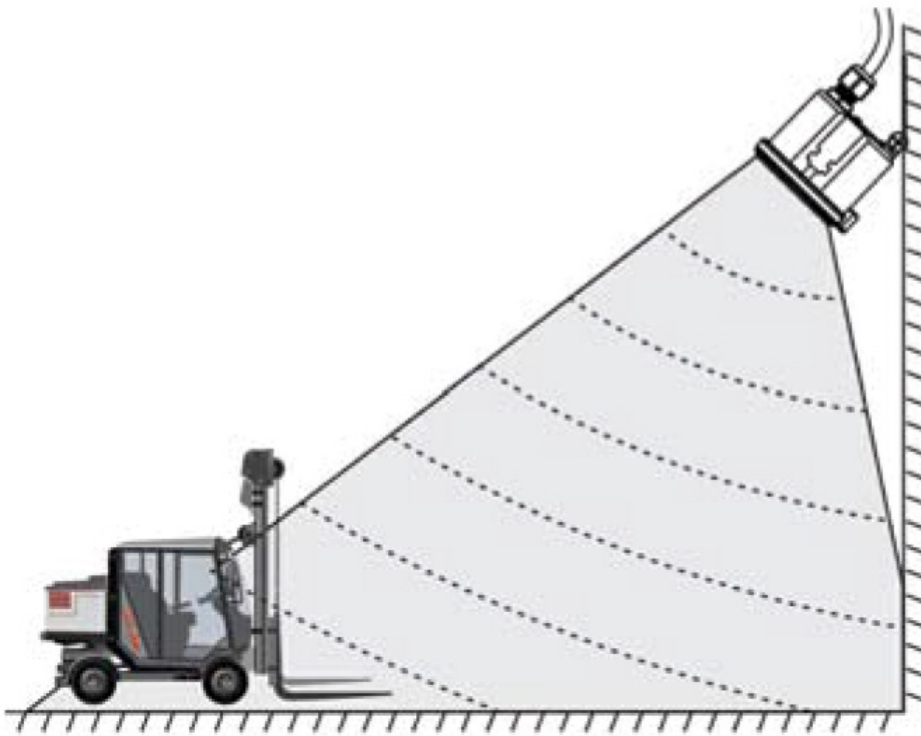
SMS731



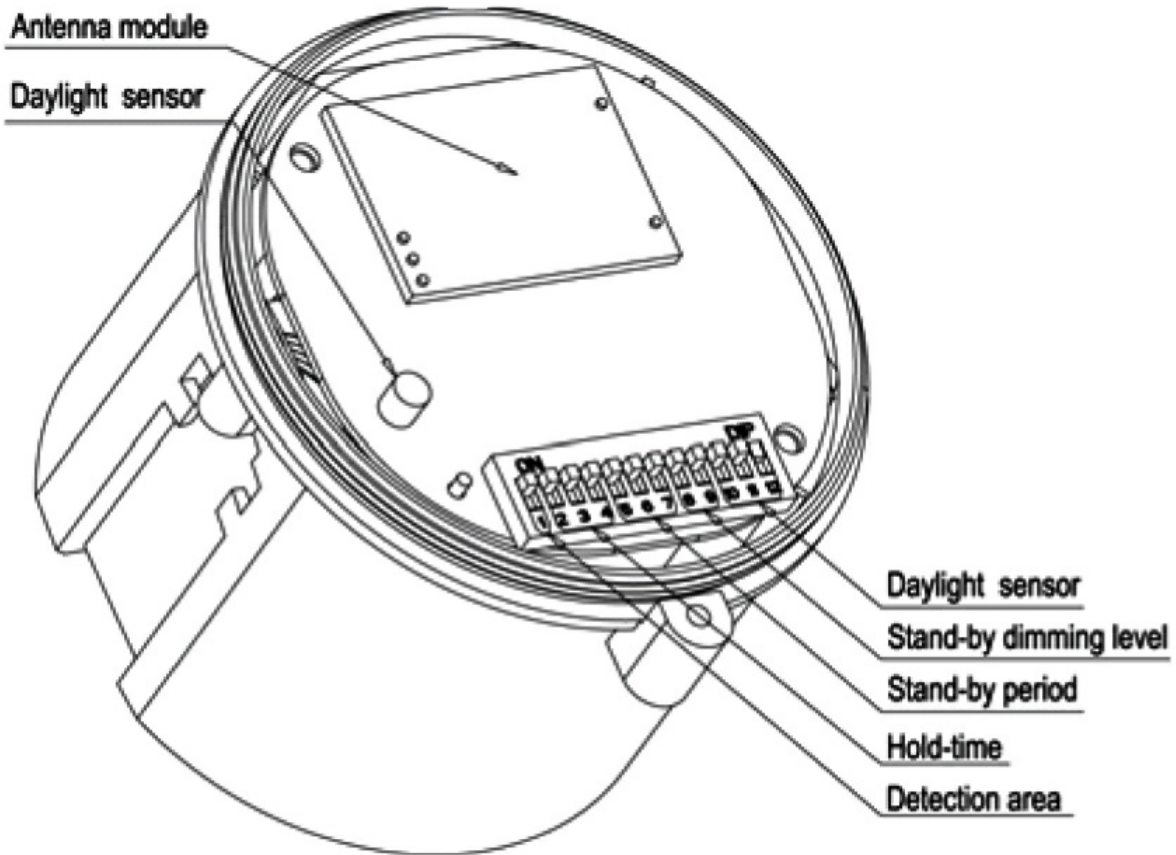
SMS731LC



SMS731WS



FUNCTION SETTINGS



Product Images

