



SLT LED STRIP CHANNEL SLT3010

Square profile CLIP-ON LED strip channel

Application

An creative solution for residential and commercial interior spaces

Design Specifications

- Extruded aluminium body
- Anodize silver finish
- Clear reeded polycarbonate diffuser
- Supplied with end caps only
- Standard channel length: 1 m or 2 m

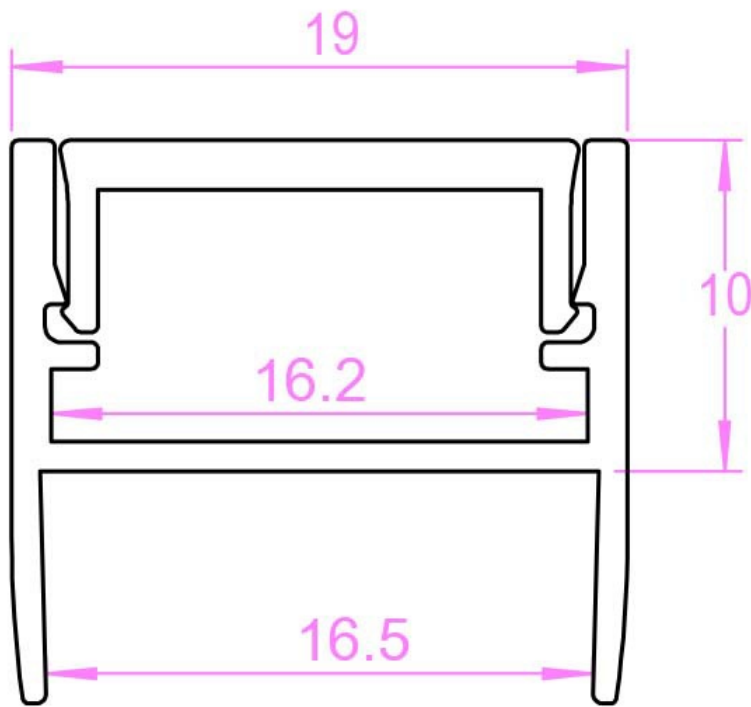


Technical Specification

Model No.	Description
SLT3010	CHANNEL CLIP ON 10x19mm 1M
SLT3010/2M	CHANNEL CLIP ON 10x19mm 2M

Due to continued product and technology enhancements, data sourced from sal.net.au shall not form part of any contract and or technical performance guarantee unless expressly confirmed in writing by SAL at the time of order. Products are sold in accordance with [SAL Terms and Conditions of sale](#) and all images shown are for illustration purposes only and may vary from the actual colour or finish.

Dimensions



SLT3010

Product Images

