



FRISBEE SL2104TC - 8/25W

Low profile recessed or surface mount oyster with selectable colour temperature and power

Application

A creative design for residential or commercial spaces

Design Specifications

- Low profile design
- Durable white polyamide body profile with an opal polycarbonate diffuser
- High efficiency SMD LED chips, choice of selectable power 8/12W, 12/18W, 18/25W and colour temperature 3000K/4000K/6000K
- Integral constant current non-dimmable driver
- Flexible cut-out sizes to suit retrofit recessed applications - SL2104/18TC 80-100mm, SL2104/22TC 120-200mm, SL2104/30TC 150-270mm



Technical Specification

Model No.	Description	Input Voltage (V/AC)	Lumens (lm)	CCT (K)	CRI	Beam Angle (°)
SL2104/18TC/DP	LED OYST 8/12W IP44 3/4/6K	240	780/840/840	3000/4000/6000	80	110
SL2104/22TC/DP	LED OYST 12/18W IP44 3/4/6K	240	1260/1350/1350	3000/4000/6000	80	110
SL2104/30TC/DP	LED OYST 18/25W IP44 3/4/6K	240	1875/2000/2000	3000/4000/6000	80	110

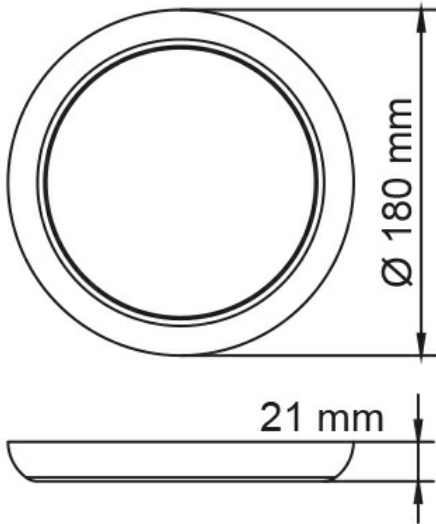
Model No.	Body Colour	Dimensions (mm)
SL2104/18TC/DP	WHITE	180(W) x 21(H)
SL2104/22TC/DP	WHITE	220(W) x 21(H)
SL2104/30TC/DP	WHITE	300(W) x 25(H)

Due to continued product and technology enhancements, data sourced from sal.net.au shall not form part of any contract and or technical performance guarantee unless expressly confirmed in writing by SAL at the time of order. Products are sold in accordance with SAL Terms and Conditions of sale and all images shown are for illustration purposes only and may vary from the actual colour or finish.

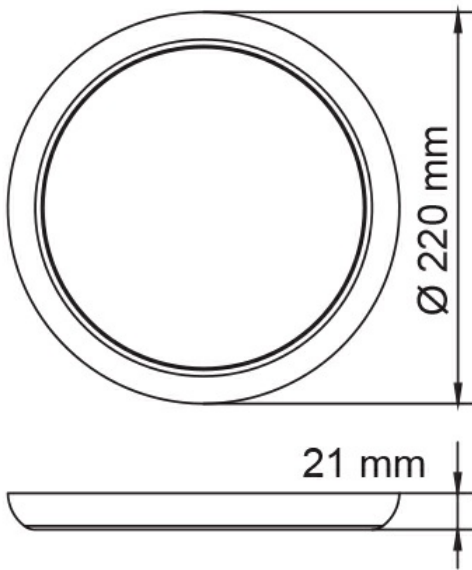
Lumens (lm) shown are at full power setting

Dimensions

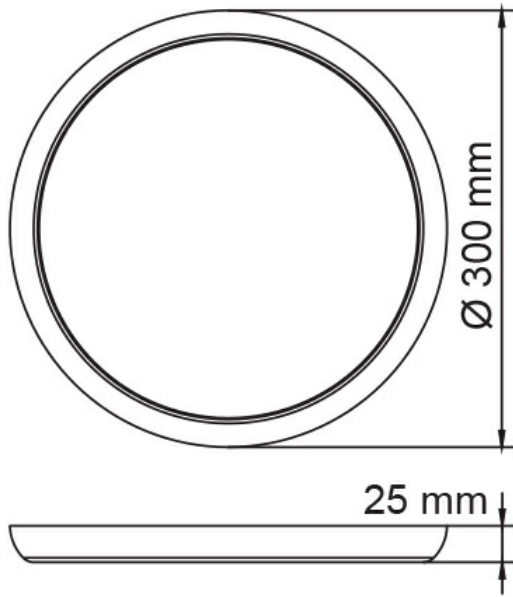
SL2104/18TC/DP



SL2104/22TC/DP



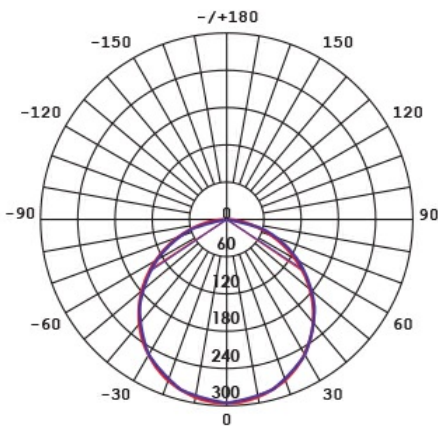
SL2104/30TC/DP



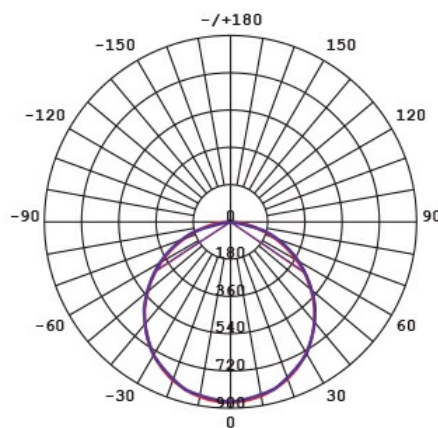
Photometric Data

Unit: cd C0/C180 _____ C90/C270 _____

SL2104/18TC at 4000K



SL2104/30TC at 6000K





Product Images

