



DRIVE SHP305 - 70/180W

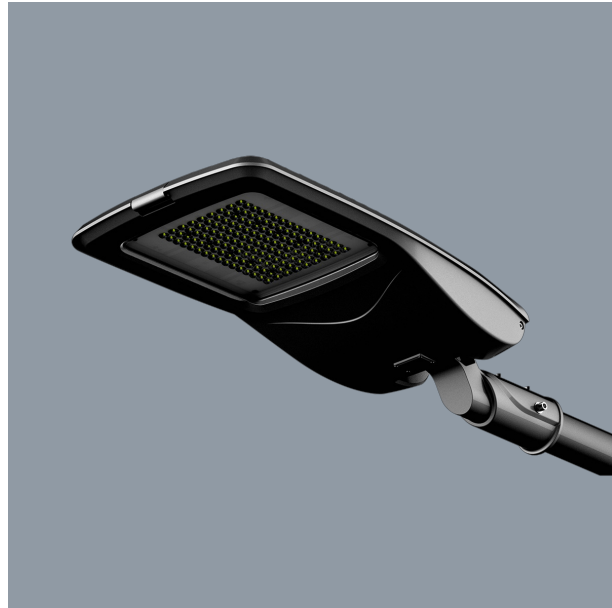
70 - 180 watt, IP66 LED street luminaire, IK08 rated

Application

A decorative, streamline exterior commercial solution

Design Specifications

- Stylish die-cast aluminium body, durable powder coated finish
- Integral constant current non-dimmable LED driver
- Asymmetrical light distribution (TYPE II) fitted, 0% upward light ratio, clear tempered glass diffuser
- Standard 3G.ANSI C.136.31-2010 Ø 60 pole mounting bracket, 800 mm 3 core rubber flex
- Integral constant current non-dimmable LED driver with 3 IN 1 dimming LED driver (1-10V DC, PWM signal & resistance) optional
- Lens option (refer to Photometric data below)
SHP305A75/P (standard), SHP305A45/P (option)



Performance

Dimmable - **OPTIONAL**
Dimmer Type - **1-10V DC**

Technical Specification

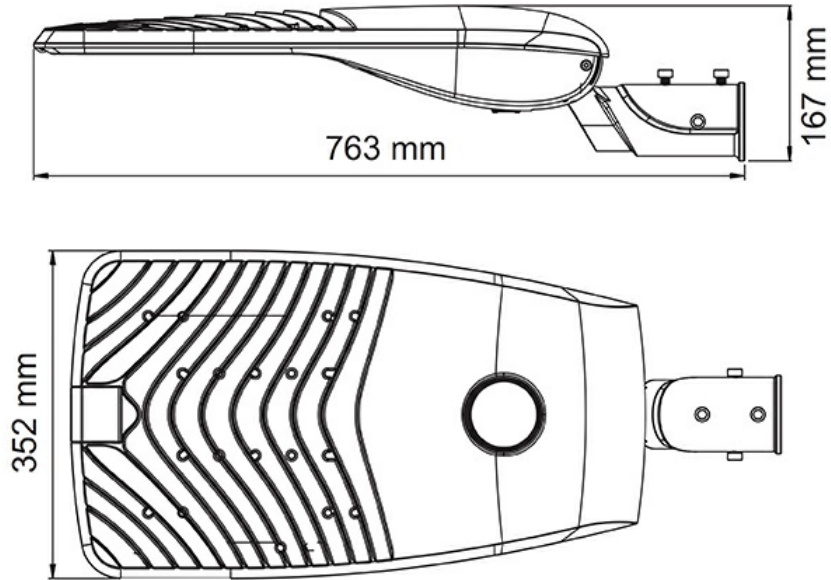
Model No.	Description	Input (V)	Power (W)	Lumens (lm)	CCT (K)	CRI
SHP305/70NDL/BK	LED STREET LGT 70W 5K IP66 BK	240	70	8400	5000	70
SHP305/90NDL/BK	LED STREET LGT 90W 5K IP66 BK	240	90	10800	5000	70
SHP305/120NDL/BK	LED STREET LGT 120W 5K IP66 BK	240	120	14400	5000	70
SHP305/150NDL/BK	LED STREET LGT 150W 5K IP66 BK	240	150	18000	5000	70
SHP305/180NDL/BK	LED STREET LGT 180W 5K IP66 BK	240	180	21600	5000	70

Model No.	Body Colour	Mass (kg)	Dimensions (mm)
SHP305/70NDL/BK	BLACK	9.2	763(L) x 352(W) x 167(H)
SHP305/90NDL/BK	BLACK	9.2	763(L) x 352(W) x 167(H)
SHP305/120NDL/BK	BLACK	9.2	763(L) x 352(W) x 167(H)
SHP305/150NDL/BK	BLACK	9.2	763(L) x 352(W) x 167(H)
SHP305/180NDL/BK	BLACK	9.2	763(L) x 352(W) x 167(H)

Due to continued product and technology enhancements, data sourced from sal.net.au shall not form part of any contract and or technical performance guarantee unless expressly confirmed in writing by SAL at the time of order. Products are sold in accordance with [SAL Terms and Conditions of sale](#) and all images shown are for illustration purposes only and may vary from the actual colour or finish.

Dimensions

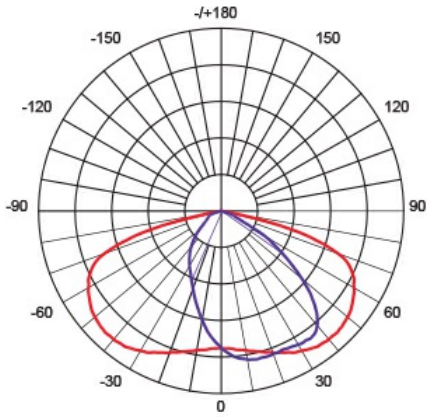
SHP305



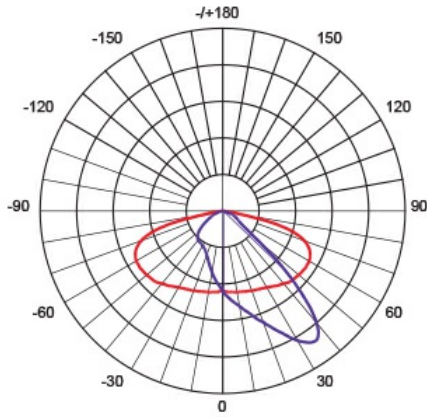
Photometric Data

Unit: cd C0/C180 _____ C90/C270 _____

**SHP305/70NDL at 5000K
with SHP305A75/P**



**SHP305/180NDL at 5000K
with SHP305A45/P**



Product Images

