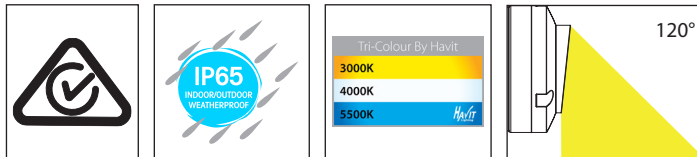


Pinta 316 Stainless Steel Wall or Step Light with Louvres



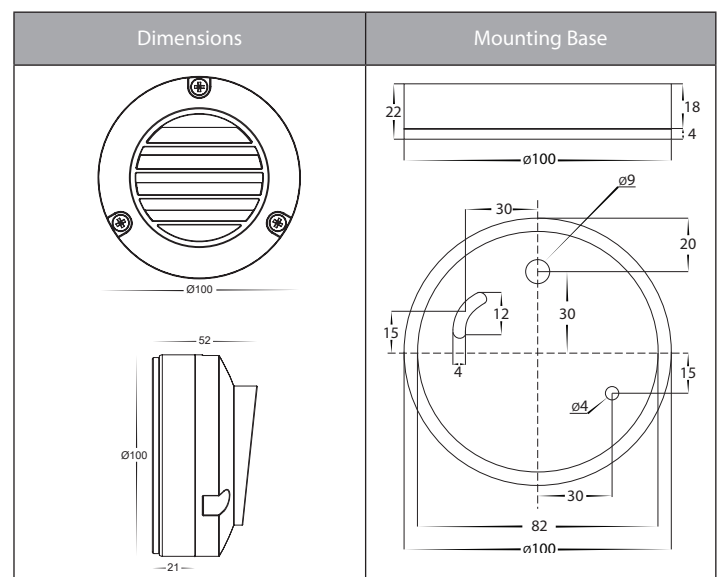
Product Specifications

Name	Pinta
Material	316 Stainless Steel
Colour	Stainless Steel
IP Rating	IP65
IK Rating	IK10
Installation Type	Wall - Surface Mounted
Cable Length	300mm
Lamp Base	Built in LED
Max Wattage	2.3w
Protection Class	12v DC = 3 (No Earth Required)
Lamp Expectancy	<30,000hrs
Diffuser Type	Glass
CRI	CRI>80
Dimmable	No
Warranty	3 Years Replacement*



Optional Havit Compatible Accessories

Image	Part Number	Description
	HV9971	Stainless Steel Maintenance Kit - Kit includes rejuvenating paste + Spray for final protection coating
		See Catalogue or Website for full range of 12v DC LED Drivers
	HV9911	Small IP67 Weatherproof Connector
	HV9912	Medium IP67 Weatherproof Connector
	HV9913	Large IP67 Weatherproof Connector



Product Ordering

Part Number	Colour Temp	Lumens	Input Voltage	Beam Angle	Included LED	Barcode
HV2905T-12V	3000k 4000k 5500k	160lm 170lm 180lm	12v DC	120°	TRI Colour 2.3w Built in LED	9350418012647

*Items ordered after 01-01-2022